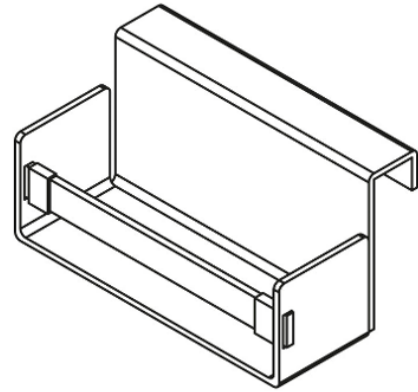


Model: ACC. CICLO ESTANTE

Codes: 100136305 - G100500002

Group: G-0

Format: approx.



PACKING

| | | |
|--------------|---------------|--|
| Pallets | 84 PIECES/PAL | |
| Sale unit | PIECES | |
| Base unit | PIECES | |
| Net weight | 1,41 LB/ST | |
| Gross weight | 1,48 LB/ST | |